

Kitchen Chef Cookware - World's Envy India's Pride.



Kitchen Chef Product Catalog



Aruns Kitchen Chef India Pvt.Ltd.

Bold & Beautiful

The Non-stick Cookware Range

The Bold & Beautiful range of cookware has been developed by KitchenCraft for the discerning & aspirational buyer.

The 150cm Super Steaks Sauté Technology, adopted by KitchenCraft, utilises the world's best PTFE, bonded over a ceramic coating. An inner stainless coating, the 'Triple Layered' 3 Metal Super-Steady™ (SSM).

Apart from its remarkable speed & heat built, the KitchenCraft non-stick cookware range, with its valuable advantage of Tumbled Aluminium at the cooked food, an account of very less quantities of oil to assist the cooking process. This enables healthier cooking.

Think how the KitchenCraft range is Health-cooking™.



Di	: 15 cm
Height	: 60 mm
Thickness	: 22 mm
Leg Thickness	: 18 mm
Capacity	: 3.5L
Inner Coating	: PTFE triple layer PTFE
Outer Coating	: PTFE double layer PTFE
Outer colour	: <input type="text"/>
Inner colour	: <input type="text"/>

HANDI

Bold & Beautiful



Bold & Beautiful

The Non-stick Cookware Range



ROUND DOME FRY PAN POT

Bold & Beautiful



DIA

245 mm
275 mm

CAPACITY

2.0 Ltrs
3.0 Ltrs

THICKNESS

4.0 mm



DIA

245 mm
275 mm

CAPACITY

2.0 Ltrs
3.0 Ltrs

THICKNESS

4.0 mm



All Size available in Black or Copper shades of Non-Stick Exterior Coatings with lids in matching colours and "Max" with stainless steel special toughened glass lids also available in some products.

Bold & Beautiful

The Non-stick Cookware Range



STEW POT

Bold & Beautiful

DIA.

245 mm
275 mm

CAPACITY

4.0 Ltrs
5.0 Ltrs

THICKNESS

3.25 mm

DIA.

245 mm
275 mm

CAPACITY

4.0 Ltrs
5.0 Ltrs

THICKNESS

3.25 mm

DIA.

245 mm
275 mm

CAPACITY

4.0 Ltrs
5.0 Ltrs

THICKNESS

3.25 mm



All Sizes available in Black & Copper Shades of Non-Stick Exterior Coatings with lid's matching colours and 'Flat-Finish Stainless Steel'. Special Toughened glass Lids also available in same products.

Bold & Beautiful

The Non-stick Cookware Range



FRY COOK PAN

Bold & Beautiful



DIA

250 mm
260 mm
280 mm

CAPACITY

0.2 Ltrs
2.0 Ltrs
2.3 Ltrs

THICKNESS

4.0 mm



DIA

230 mm
240 mm
260 mm

CAPACITY

1.5 Ltrs
2.0 Ltrs
2.3 Ltrs

THICKNESS

4.0 mm



All items available in Black & Copper Shades of Non-Stick Cookware Range with Anti-Sticking coating and Non-Stick handles. Free Special Toughened glass lids also available in some variants.

Bold & Beautiful

The Non-stick Cookware Range



Di. : 45cm
Height : 26cm
Thickness : 3mm
Lid Thickness : 2mm
Capacity : 25 Ltrs
Inner Coating : PTFE (Teflon) PTFE
Outer Coating : PTFE (Teflon) PTFE
Outer colour :
MS No. (if any) :

MULTI COOK POT



Bold & Beautiful

The Non-stick Cookware Range

The Bold & Beautiful range of cookware has been developed by KitchenCraft for the discerning & aspirational lifestyle.

The PTFE Free Super Smooth Surface Technology, adopted by KitchenCraft, utilizes the world's best PTFE, bonded over a ceramic coating. An inner stainless coating, the 'Triple Layered' 3 Metal Super-Stick™ PTFE.

Apart from its remarkable speed & heat built, the KitchenCraft non-stick cookware range, with its valuable advantage of Tumbled Aluminium at the cooked food, an account of very less quantities of oil to assist the cooking process. This enables healthier cooking.

Think how the KitchenCraft range is Health-cooking-liking.



Di	: 11 cm
Height	: 60 mm
Thickness	: 22 mm
Le Thickness	: 18 mm
Capacity	: 3.5L
Inner Coating	: PTFE free over PTFE
Outer Coating	: PTFE coating over PTFE
Outer colour	
Material	

HANDI

Bold & Beautiful



Bold & Beautiful

The Non-stick Cookware Range



WOK KADHAI

Bold & Beautiful

DIA
260 mm
305 mm

CAPACITY
3.5 Ltrs
4.5 Ltrs

THICKNESS
4.0 mm



DIA
260 mm
305 mm

CAPACITY
3.0 Ltrs
4.0 Ltrs

THICKNESS
4.0 mm



DIA
265 mm
302 mm

CAPACITY
3.2 Ltrs
4.2 Ltrs

THICKNESS
4.0 mm



All items available in Black & Copper shades of New Bold & Beautiful Cookware with lid. In matching colours and 100% High Quality Steel, special hardened gas lift also available in some products.

Bold & Beautiful

The Non-stick Cookware Range



CHINESE WOK

Bold & Beautiful



DIA

270 mm
300 mm

CAPACITY

3.0 Ltrs
4.0 Ltrs

THICKNESS

4.0 mm



DIA

270 mm
300 mm

CAPACITY

3.0 Ltrs
4.0 Ltrs

THICKNESS

4.0 mm



All Sizes available in Black & Copper Shades of Non-Stick Exterior Coatings with lids in matching colours and 'Mirror-Finish' Stainless Steel. Special Toughened glass lids also available in same products.

Bold & Beautiful

The Non-stick Cookware Range



DEEP KADHAI

Bold & Beautiful



DIA
245 mm
305 mm
CAPACITY
3.5 Ltrs
5.0 Ltrs
THICKNESS
4.0 mm



DIA
245 mm
305 mm
CAPACITY
3.5 Ltrs
5.0 Ltrs
THICKNESS
4.0 mm



All items available in Black & Copper shades of New Bold & Beautiful Cookware Range in matching colours and Tux finish stainless steel special lightweight glass lids also available in same products.

Bold & Beautiful

The Non-stick Cookware Range



CONCAVE TAVA

Bold & Beautiful

DIA

145 mm
225 mm

THICKNESS

5.0 mm

DIA

145 mm
225 mm

THICKNESS

5.0 mm



All items available in Steel & Copper finishes at Pantry & more. Looking with us in mind - by colour and size. Price list on the back, special high end glass lids & available from products.

Bold & Beautiful

The Non-stick Cookware Range



FLAT TAVA

Bold & Beautiful

DIA

275 mm
280 mm

THICKNESS

4.0 mm

DIA

275 mm
280 mm

THICKNESS

4.0 mm

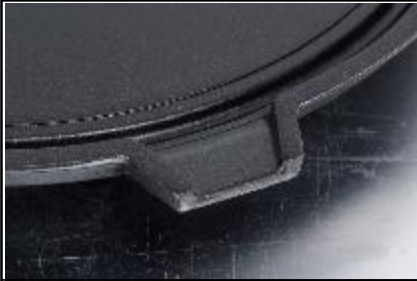


All Sizes available in Bold & Beautiful Range of Non-Stick Flat Tava. Change with life's changing roles and Bold & Beautiful Flat Tava. Special Toughened glass lids also available in some products.

Kitchen Chef
Healthy Cooking Lifelong

HEALTH TAVA





Oil Collecting Channel & Spout

Heat Conserving Cylindrical Bars

THERM BASE



How Does the Tava work



THE KITCHEN CHEF HEALTH TAVA APART FROM PERFORMING THE FUNCTIONS OF A NORMAL FLAT TAVA HAS A VERY SPECIAL & EXCLUSIVE FEATURE OF SAVING THE EXTRA OIL USED IN THE COOKING / ROASTING / FRYING OF FOODS SUCH AS DOSAS, UTTAPAMS, PAROTHAS, CHILLAS, PUDAS, PANCAKES, CUTLETS, SPRING ROLLS, CREPES, FLAPJACKS, FRIED EGGS, OMELETES, SAUSAGES, FISH & PORKS SLICES & OTHER ITEMS COOKED WITH LARGE QUANTITIES OF OILS AND FATS.
THE EXTRA OIL OR MORE THAN REQUIRED OIL WILL AUTOMATICALLY FLOW INTO THE SIDE CHANNEL, BUILT ALL AROUND THE OUTER CIRCUMFERENCE OF THE GRIDDLE & WILL ACCUMULATE THERE TILL IT IS POURED OUT THROUGH THE SPOUT ESPECIALLY DESIGNED IN THE TAVA.

Heat & Flame Efficient



THE BOTTOM SIDE HAS A SPECIAL DESIGN OF PROTRUDING SEMI CYLINDRICAL BARS OF 2MM THICKNESS IN CONCENTRIC CIRCLES CREATING MOUNTAINS & SLOPES FOR THE FLAME TO TRAVEL. THE BOTTOM DESIGN ENSURES THAT THE COMPLETE FLAME REMAINS BELOW THE COOKING ZONE AND IS THUS 100% UTILIZED AND 0% FLAME WASTAGE. THE BOTTOM DESIGN OF THICK CYLINDRICAL BARS RETAINS THE HEAT FOR LONGER PERIODS, THUS ONCE HEATED THE FOOD CAN BE COOKED AT A MEDIUM FLAME LEVELS SAVING COST OF FUEL.

Anti Loose Double Screw Handle

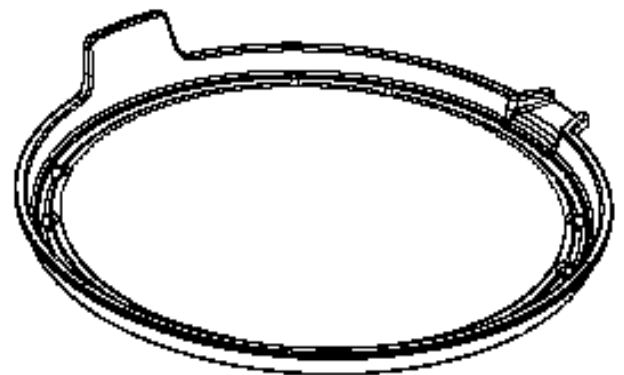
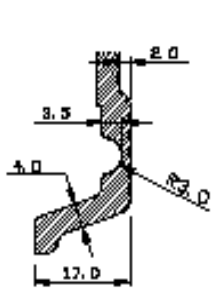


A SPECIAL HANDLE CONNECTING STRIP IS PART OF THE DIECAST TAVA & NO OUTSIDE CONNECTING STRIP HAS TO BE ATTACHED.

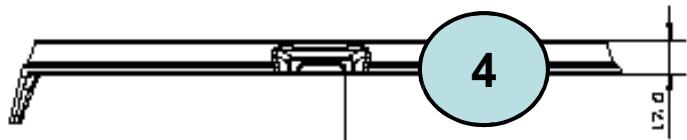
THE HEALTH TAVA IS FITTED WITH A SPECIAL HANDLE WHICH IS ERGONOMICALLY DESIGNED, WEIGHING 170GMS & DESIGNED WITH A SPECIAL THUMBREST, THE HANDLE PROVIDES FOR A PERFECT GRIP TO HANDLE THE TAVA.

Technical Specifications & Engineering Drawings

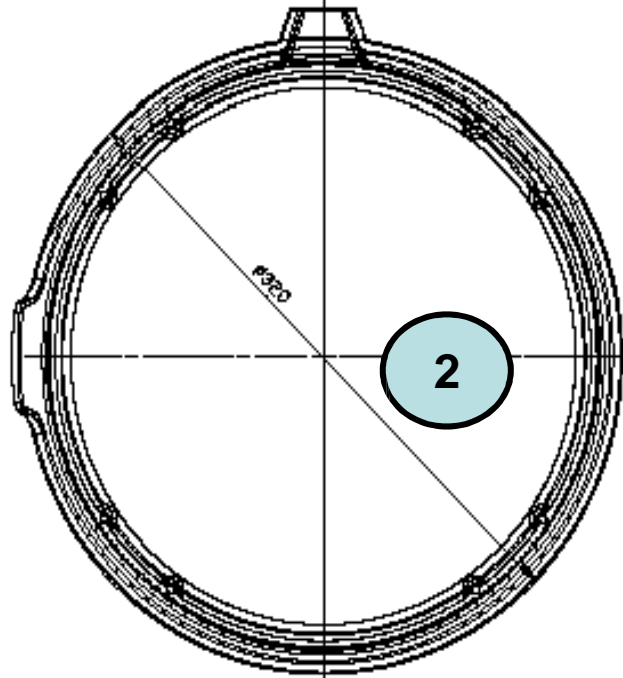
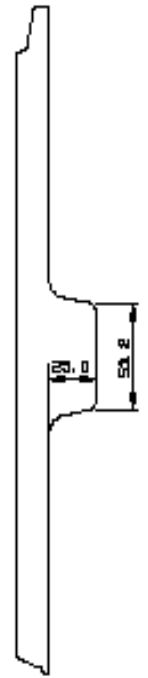
5



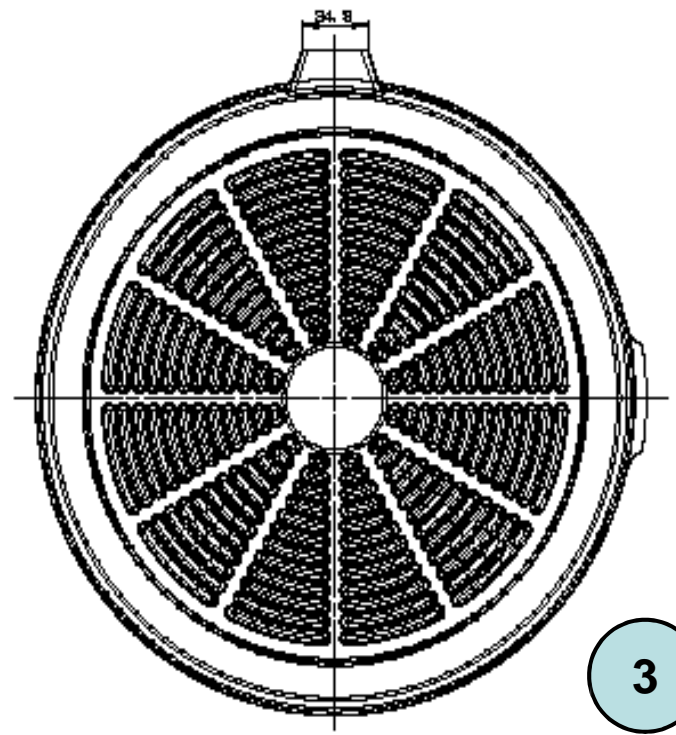
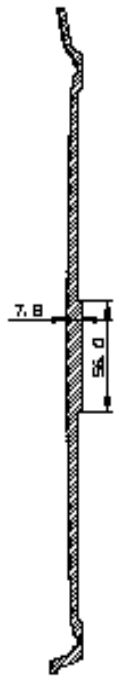
1



4



2



3

TECHINICAL SPECIFICATIONS OF THE KITCHEN HEALTH TAVA

OUTER DIA. -----	320MM
INNER DIA.-----	315 MM
PRODUCT NETT WEIGHT-----	1420GMS
PACKAGED GROSS WEIGHT-----	1870 GMS
COOKING SURFACE-----	285MM
CHANNEL WIDTH,-----	15MM
CHANNEL DEPTH,-----	4MM
SIDE WALL HEIGHT,-----	17MM
WALL THICKNESS,-----	4MM
TAVA THICKNESS,-----	2MM TO 7.8 MM
TYPE : DIE CAST-----	ALUMINIUM DIE CAST
HANDLE BASE-----	CASTED WITH THE MAIN BODY.
HANDLE TYPE-----	MOULDED BAKELITE – 170GMS
HANDEL DESIGN & TECHNOLOGY.....	ANTI LOOZE,DOUBLE SCREW TECHNOLOGY.
BOTTOM BASE DESIGN-----	THERMOBASE TECHNOLOGY

Thermo base Technology refers to the Special Design of cylindrical tubes created in concentric circles from the centre point Of the base to the edge of the base of the griddle in a manner so that 100% of the heat of the flame is absorbed by the griddle. And there is 0% wastage of heat. The Cylindrical tubes absorb and store the excess heat and use it at low flame position.

FRYING PANS



ROUND DOME PANS



PARTY GRIDDLE



ANODIZED TAVA



DIECAST HEALTH TAVA



FRY COOK PANS



STEW POTS



FRY COOK PANS



ANODIZED CASSAROLS



HEALTH COOK POT



WOK KADHAIS



DEEP KADHAIS



CHINESE WOKS



ANODIZED SAUCE PANS



HEALTH STEAMER



MULTI POTS



FLAT GRIDDLES



DIECAST TOASTER



ANODIZED WOKS



GRILL PANS



THE 'Kitchen Chef' HEALTH TAVA

Saves Oil & Builds Health



AntiLoose Handle Assembly



Firm Handle Mounting



Casted handle





**USES LESS OIL.
EXCESS OIL SAVED.
GOOD FOR HEART.
BUILDS HEALTH.**

TASTE, HEALTH, LOW FAT , SAVINGS & MORE.



SANDWICH CRISPIER THAN EVER ... & MORE



STEAMING VEGETABLES, IDLIY'S, MOMOS, DHOKLA &....MORE



THE KITCHEN CHEF COOK & STEAM HEALTH PAN

